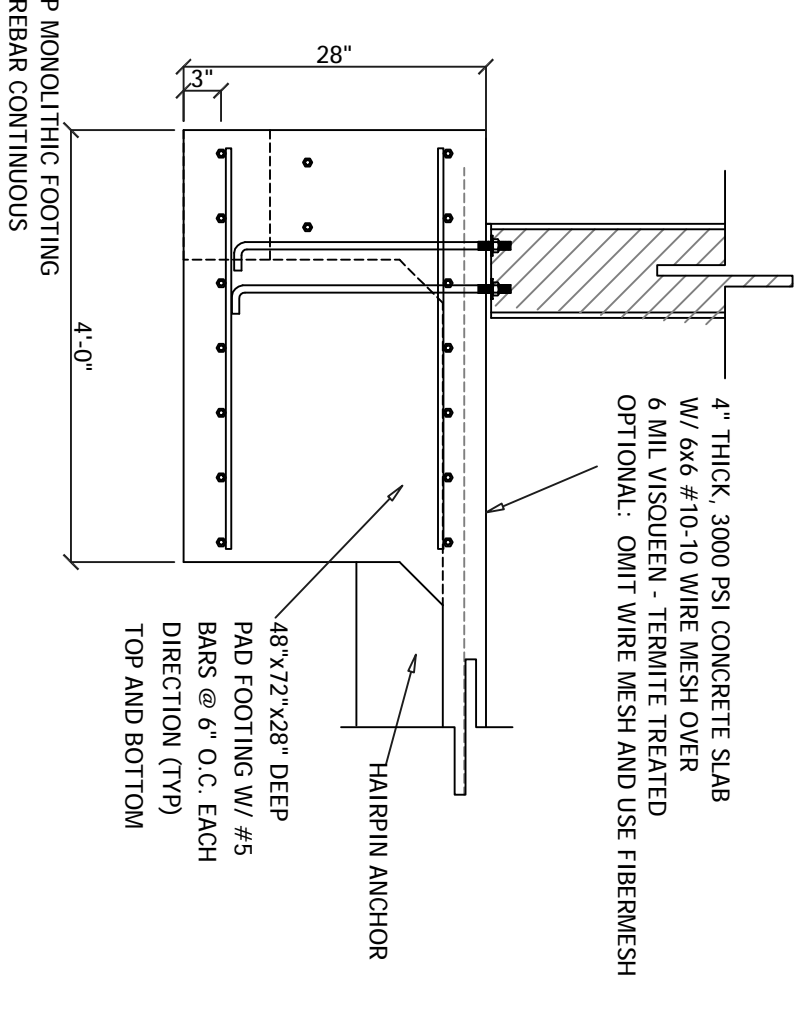
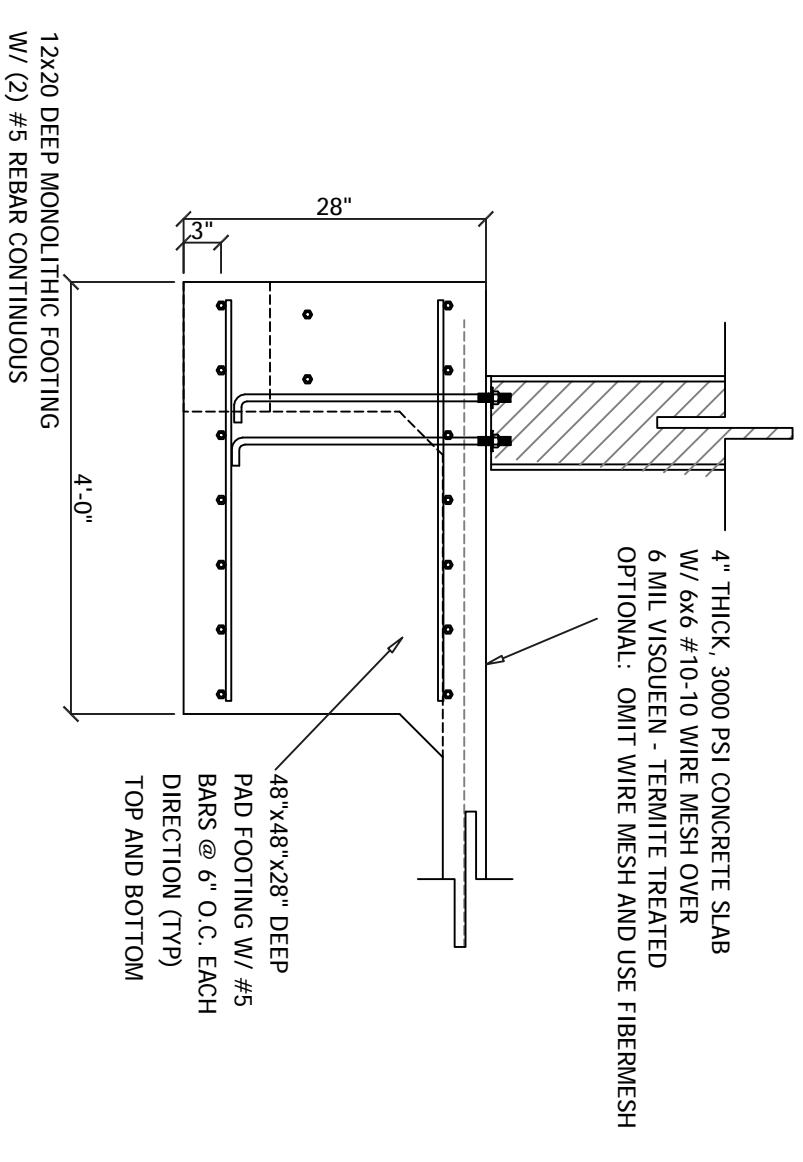


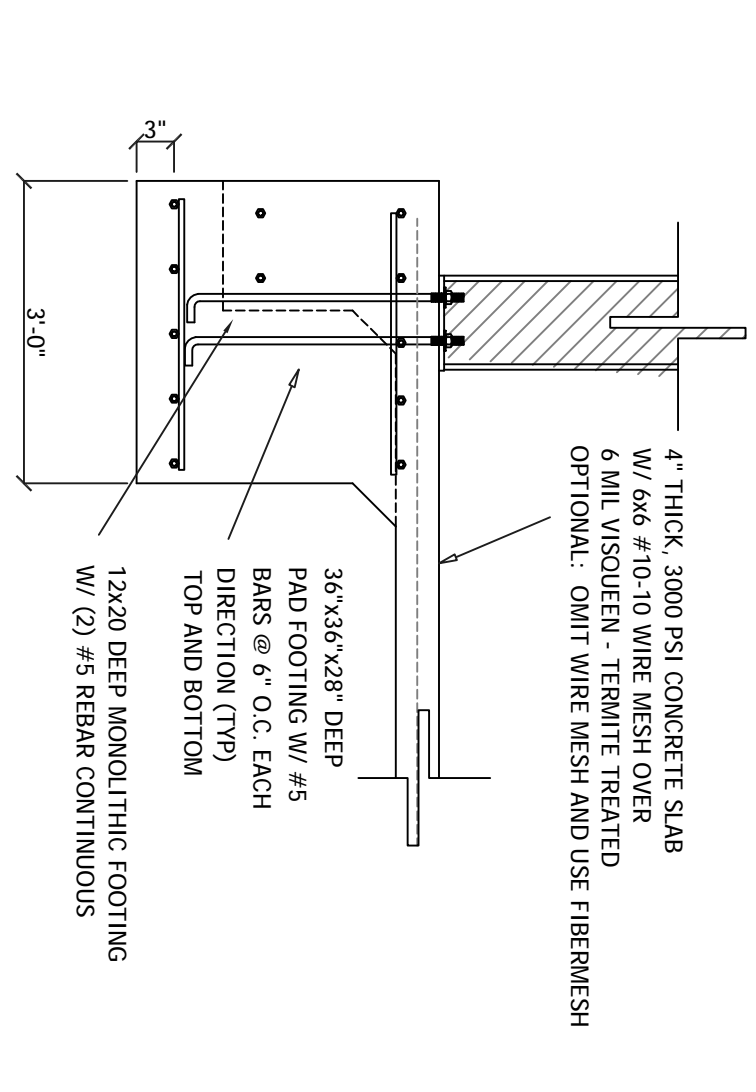
F-4 FOUNDATION @ SLAB ON GRADE NOT TO SCALE



F-3 FOUNDATION @ SLAB ON GRADE NOT TO SCALE



F-2 FOUNDATION @ SLAB ON GRADE NOT TO SCALE



F-1 FOUNDATION @ SLAB ON GRADE NOT TO SCALE

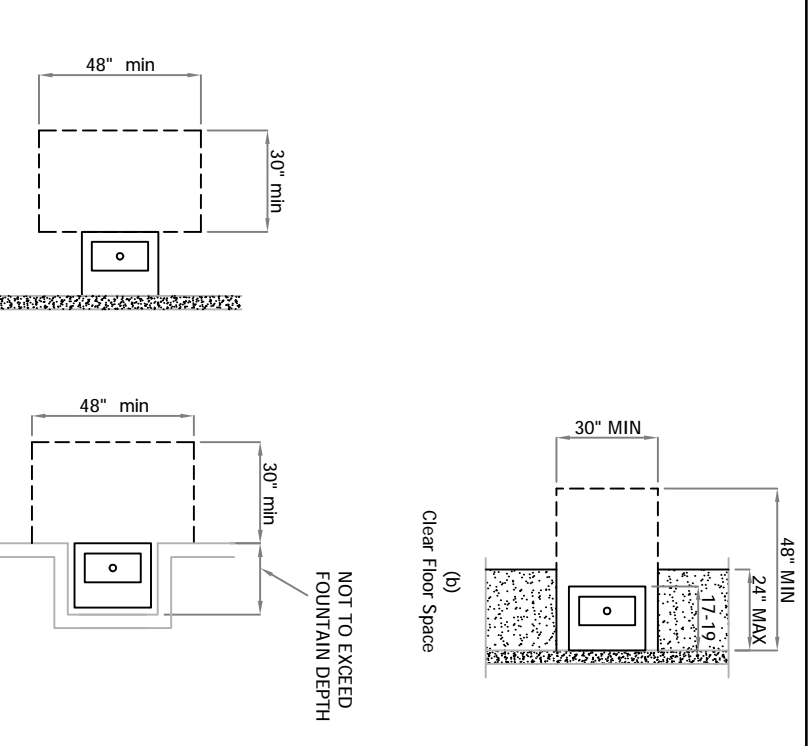


FIGURE 27, DRINKING FOUNTAINS AND WATER CLOSETS  
FLORIDA BUILDING CODE 2007

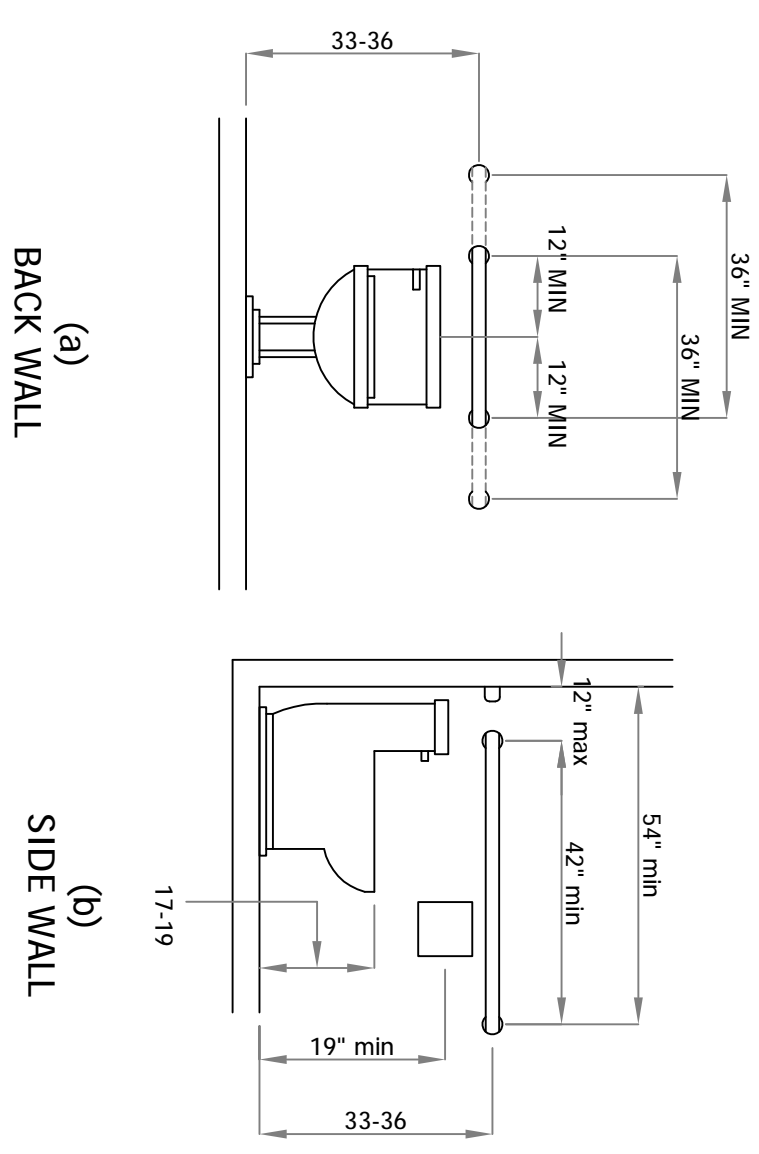
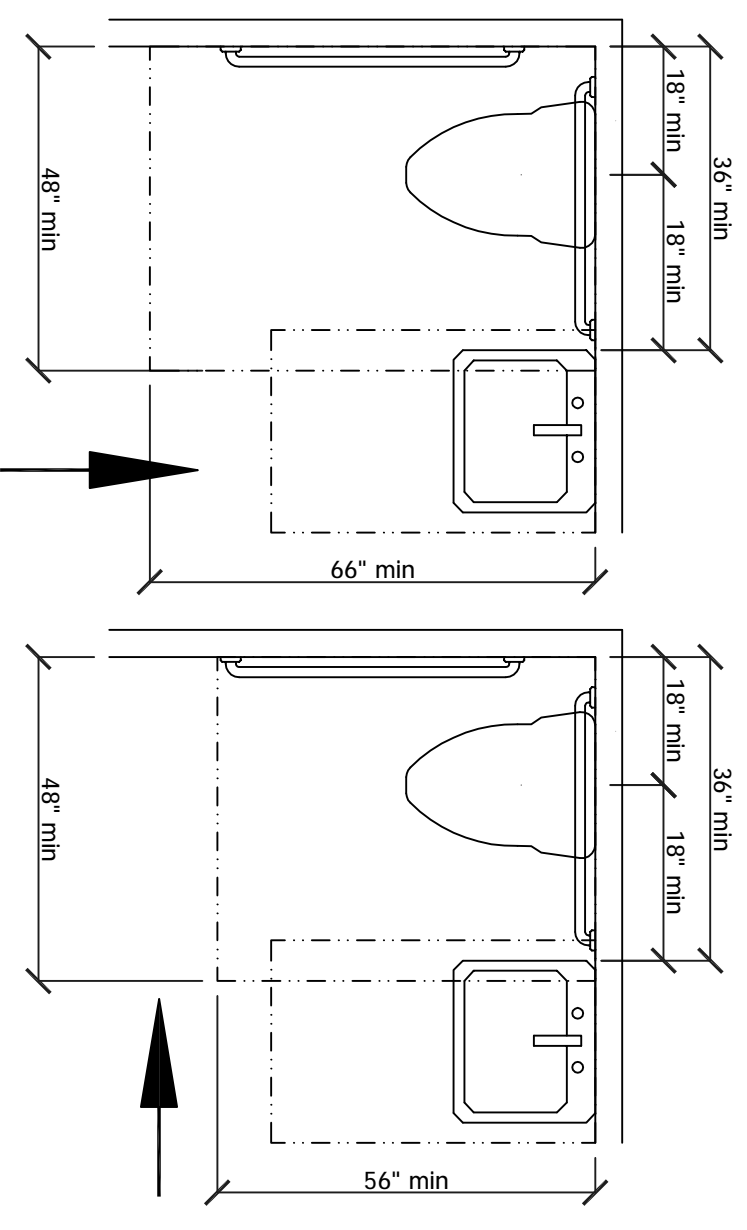
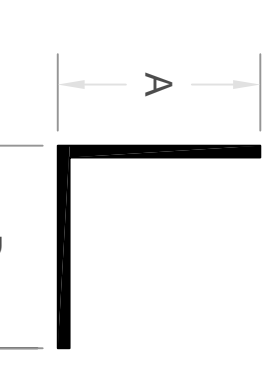


FIGURE 29 GRAB BARS @ WATER CLOSETS



TYPICAL HANDICAP BATH, FIGURE 28



PROFILE	A	B
7800	7/8"	7/8"
7807	2"	1"

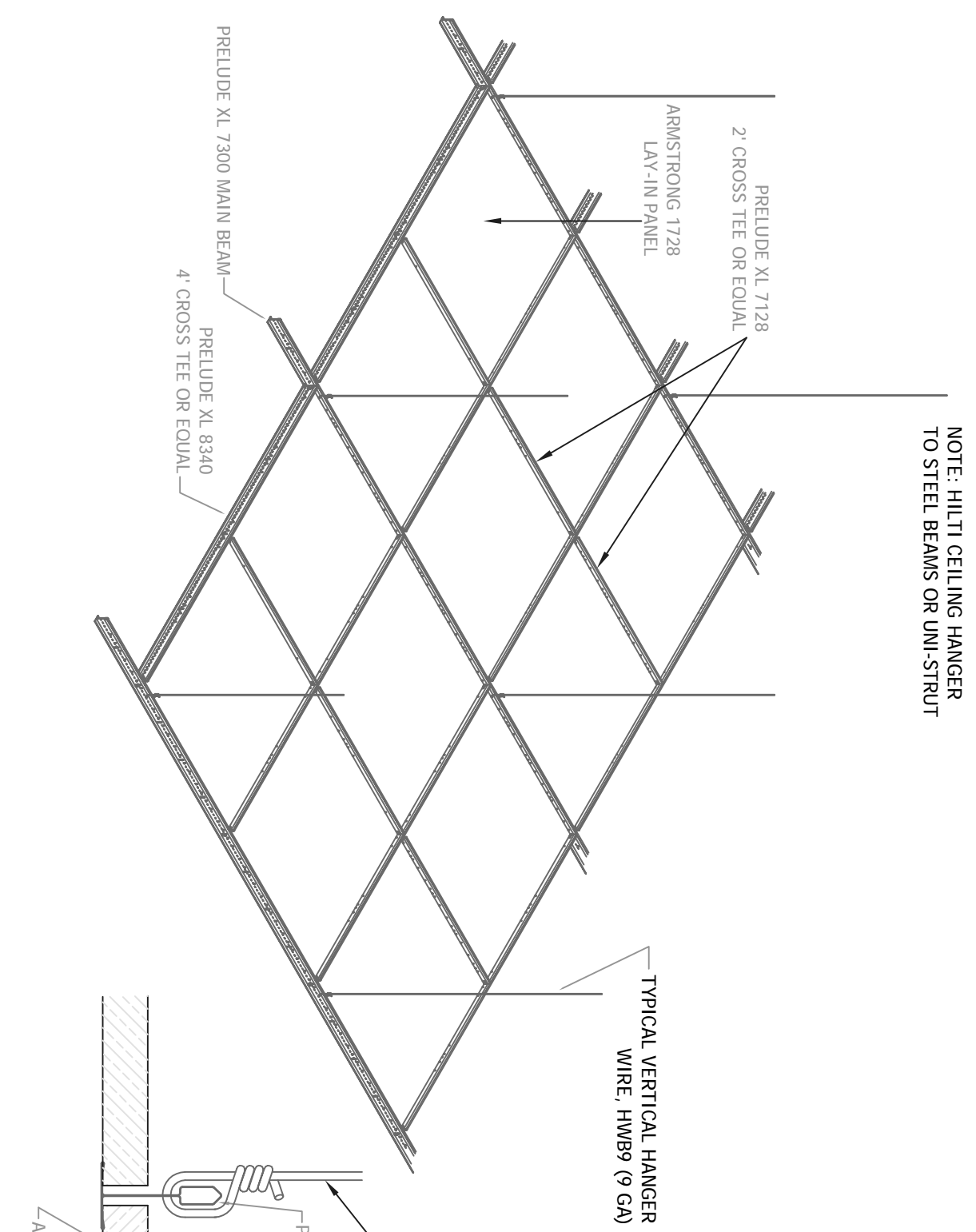
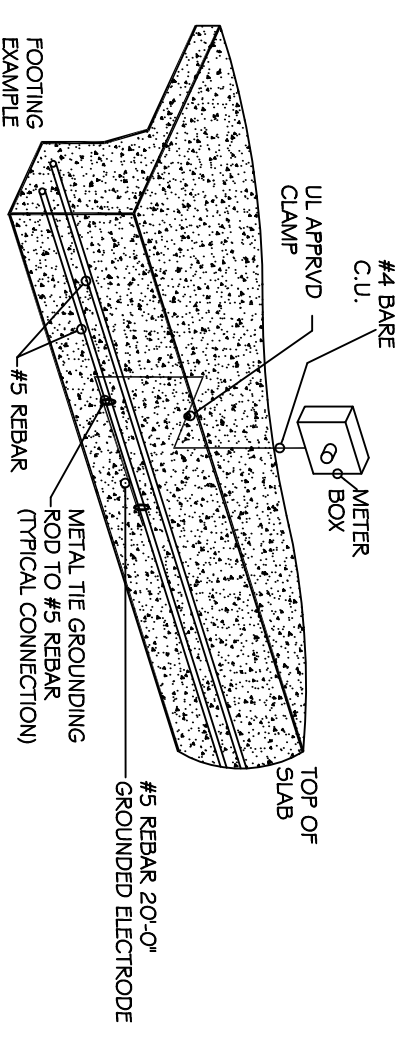
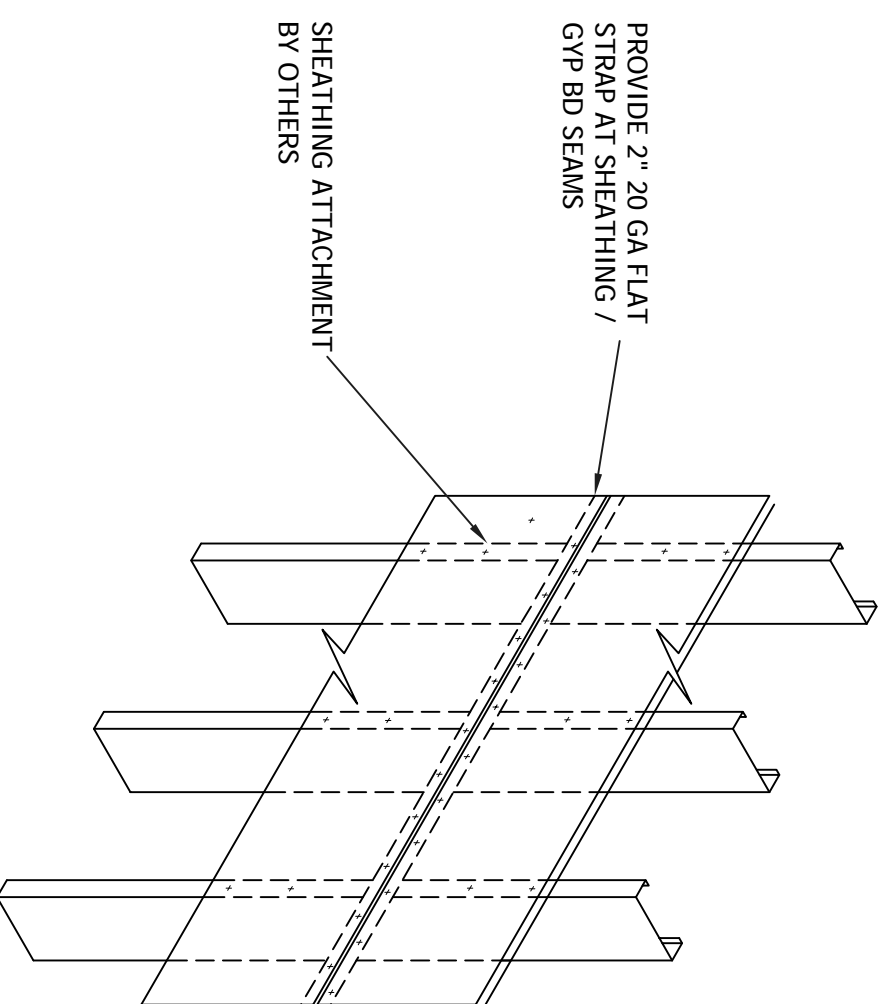


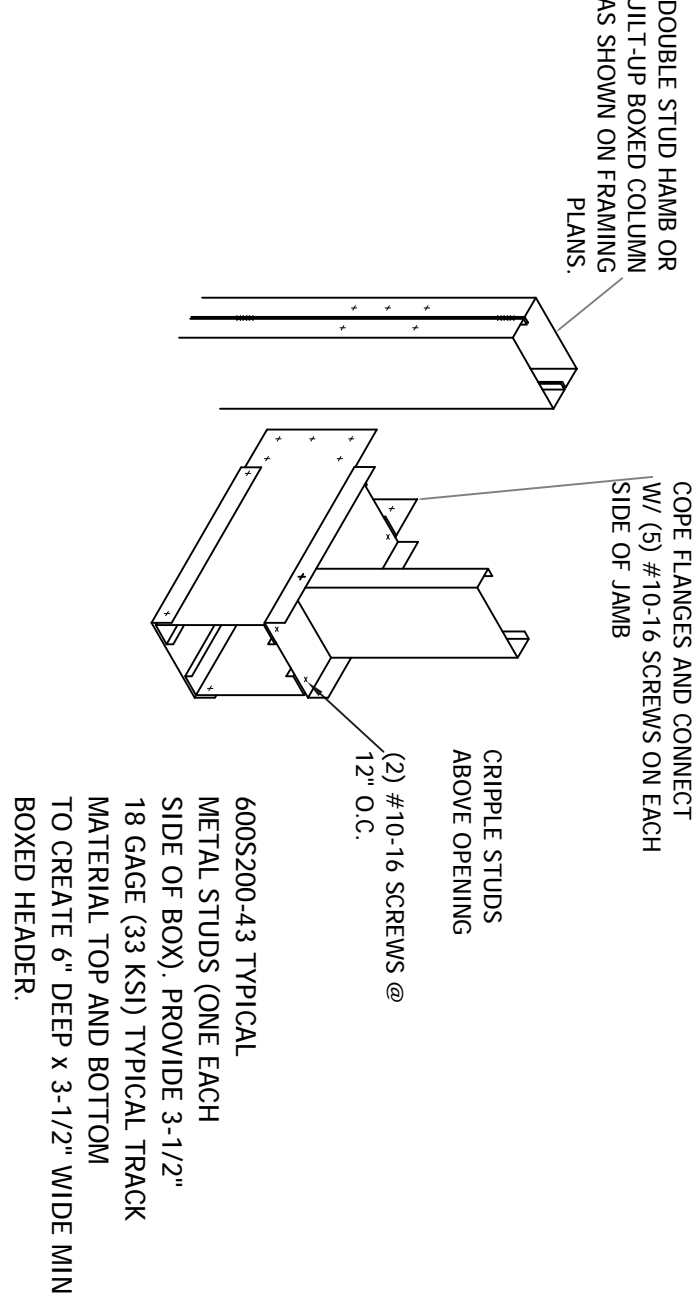
FIGURE 27, DRINKING FOUNTAINS AND WATER CLOSETS  
FLORIDA BUILDING CODE 2007



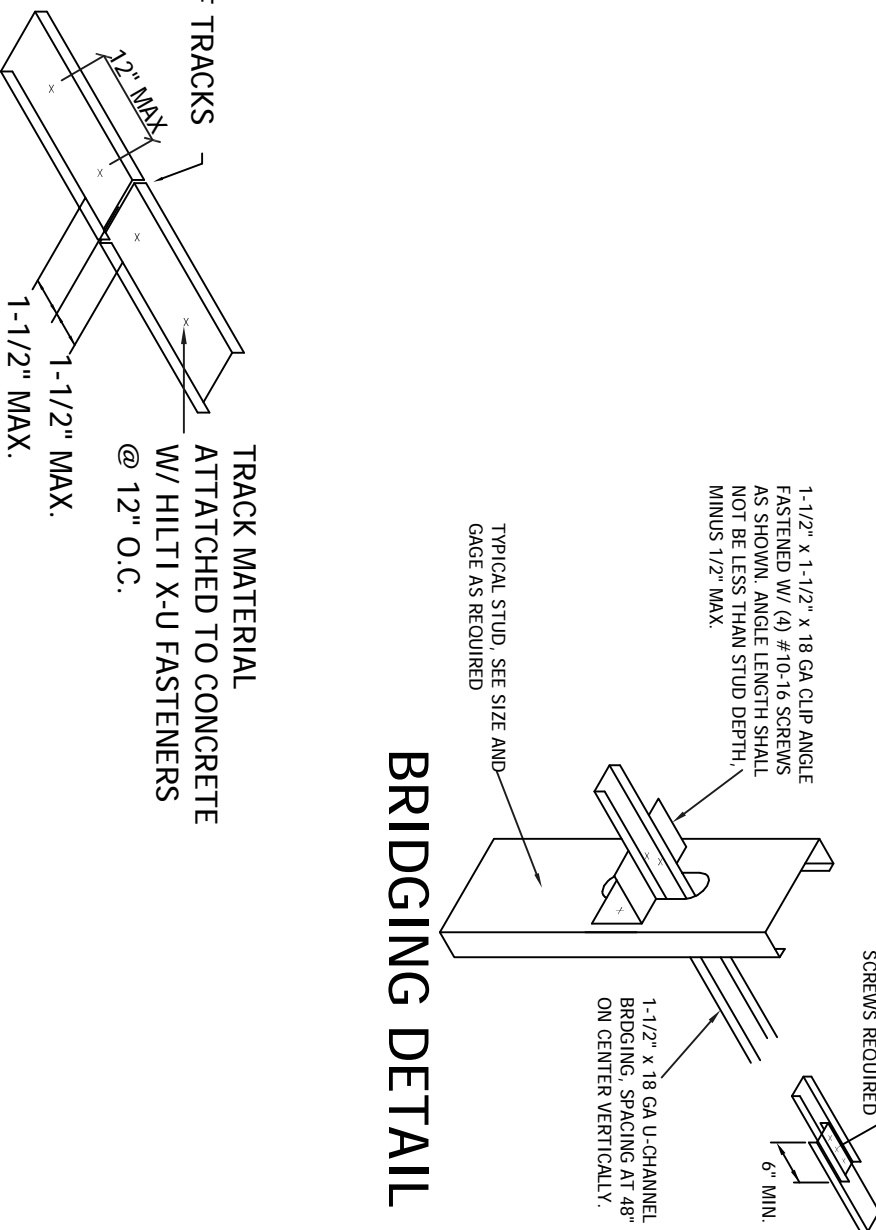
GROUNDING ELECTRODE  
SYSTEM DETAIL (UFER)



SHEATHING / GYPSUM SEAM CONSTRUCTION



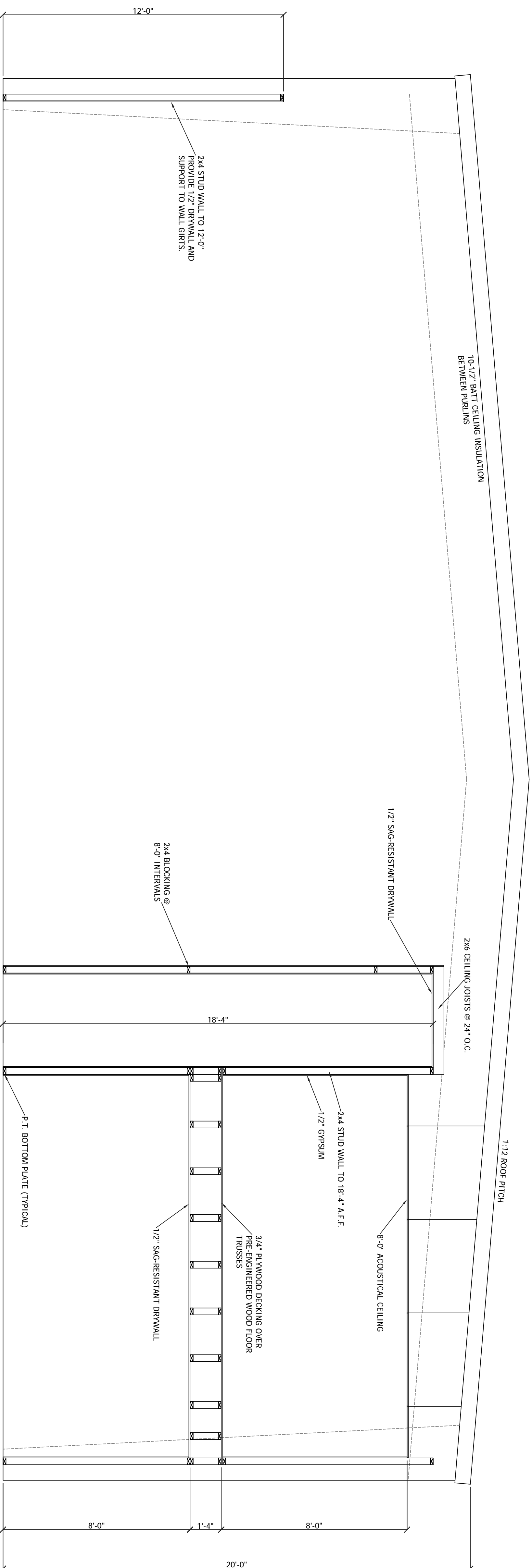
TYPICAL BOXED BEAM

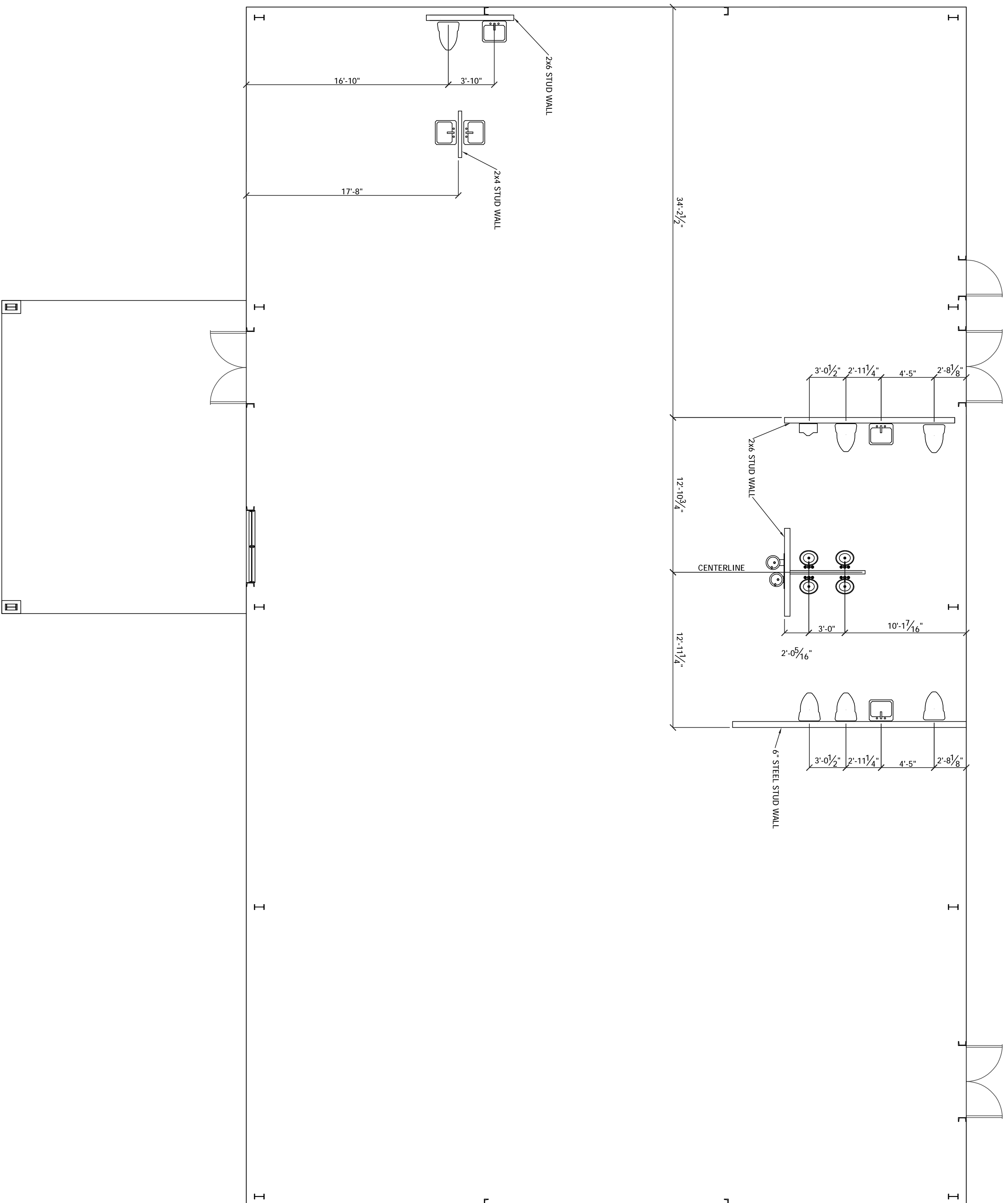


FLOOR TRACK AND BRIDGING DETAILS

SHEATHING / GYPSUM SEAM CONSTRUCTION

CEILING INSTALLATION ISOMETRIC - TYPICAL (ARMSTRONG SYSTEM)





- ELECTRICAL NOTES:
1. PROVIDE HARD WIRING (CAT-6) PER OWNERS.
  2. PROVIDE STAGE LIGHTING AND POWER PER AV REPRESENTATIVE.
  3. PROVIDE AV WIRING FOR SOUND BOOTH PER AV REP.
  4. PROVIDE DIMMERS ON HIGH-BAY LIGHTING.

